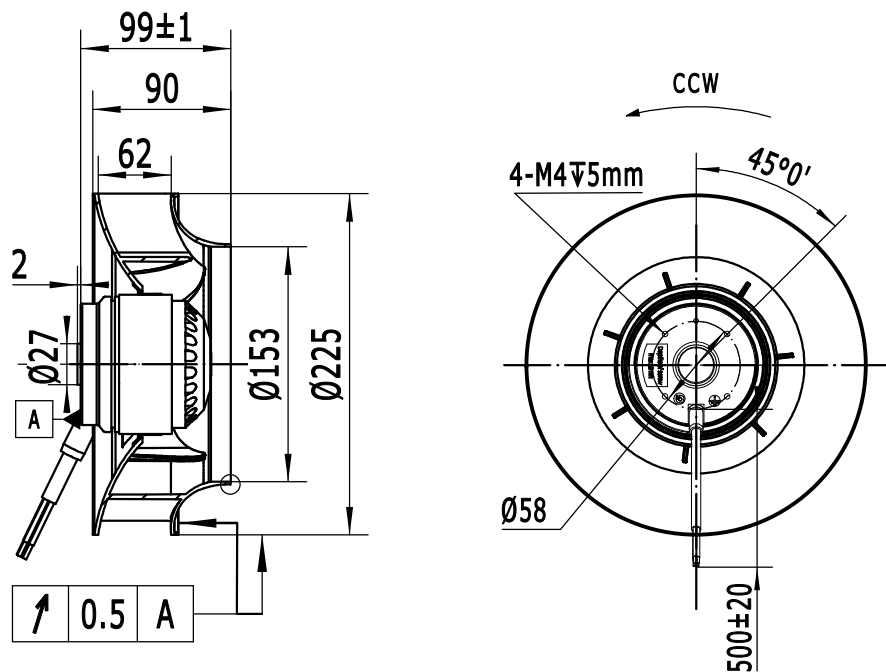


External Rotor Motor



Hangzhou Weiguang Electronic Co.,Ltd.

Unit: External Rotor Motor

Type:

Type: LXFB2E225/62-P92/35-AA01

Customer:

Voltage v	Frequency Hz	Input power W	Current A	Speed r/min +/-5%	Notice
220	50	138	0.63	2640	

Insulation class : F

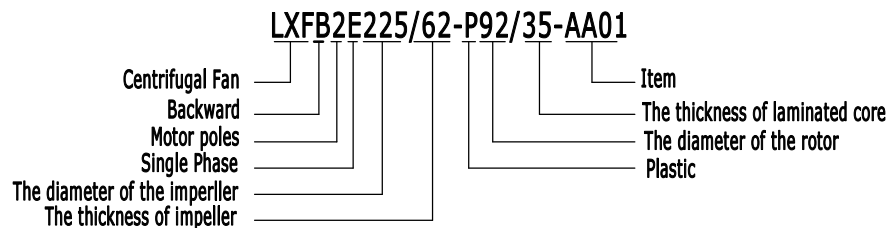
Operating type: S₁

Permissible ambient temperature : -30℃~60℃

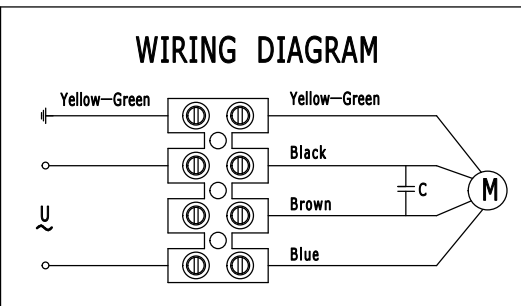
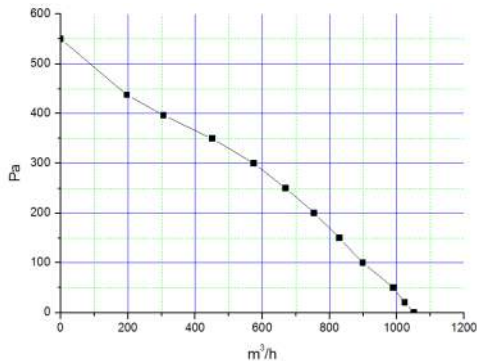
Temperature increase: ΔT≤95k

Bearings: ball bearings

Model meanings:



WEIGUANG® LXFB2E225/62-P92/35-AA01
 220V 50Hz 0.63A 55/138W
 2640r/min 4μF/450V CL.F IP44 XX/XX



1、Electrical connection:lead wire , Length 500mm .

2、Bearing: 608Z.

REV.	DESCRIPTION	APPROVED	DATE	DECIMAL	TOLERANCE	SIGN	DATE	TITLE	
				X	±0.5	DRN. BY		LXFB2E225/62-P92/35-AA01	
				X.X	±0.25	CHD. BY			
				X.XX	±0.15	ENG. BY			
				ANGLE	±3°	APP. BY			
								PROJECTION	
								A1	SCALE
								SHEET: of	