

DRAWING NO. REV.

forward centrifugal fan

Hangzhou Weiguang Electronic Co.,Ltd.

Unit: External Rotor Motor

Type:

Type: LXFB2E220/44-P92/25-AA01

Customer:

Voltage v	Frequency Hz	Input power W	Current A	Speed r/min +/-5%	Notice
220	50	80	0.36	2410	

Insulation class : F

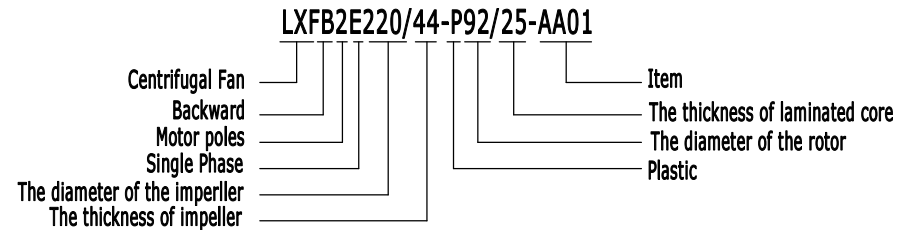
Operating type: S₁

Permissible ambient temperature : -30℃~60℃

Temperature increase: ΔT≤95k

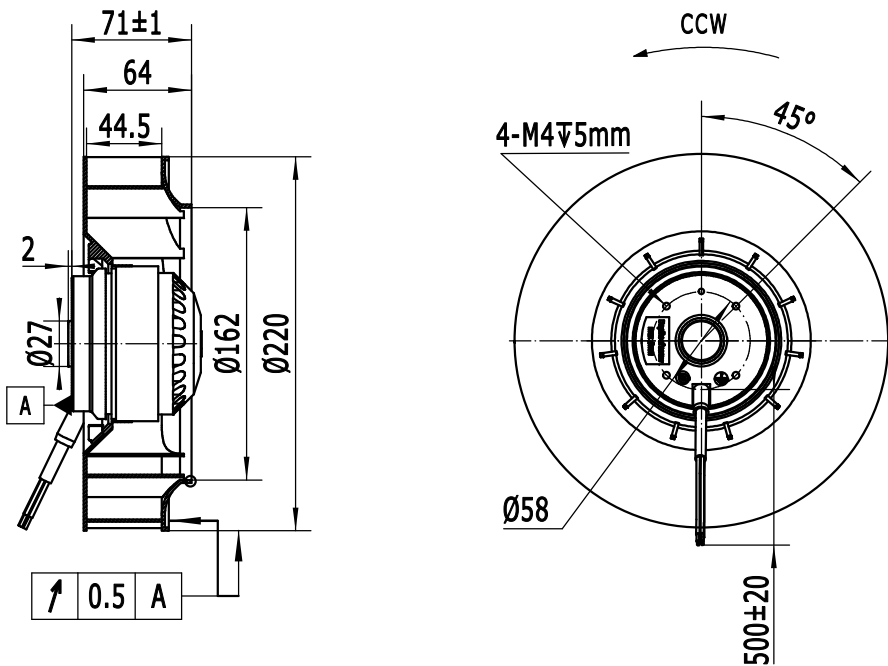
Bearings: ball bearings

Model meanings:

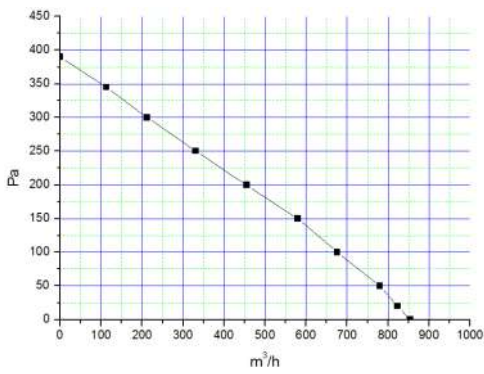


1、Electrical connection:RV-90,4G 0.50mm² lead wire Length 500mm .

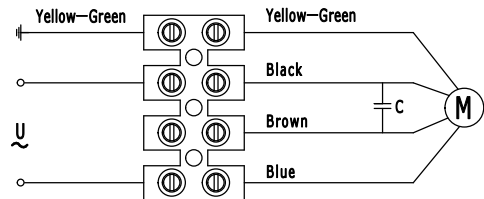
2、Bearing: 608Z.



WEIGUANG® LXFB2E220/44-P92/25-AA01
 220V 50Hz 0.36A 42/80W
 2410r/min 3μF/450V CL.F IP44 XX/XX



WIRING DIAGRAM



REV.	DESCRIPTION	APPROVED	DATE	DECIMAL	TOLERANCE	SIGN	DATE
				X	±0.5	DRN. BY	
				X.X	±0.25	CHD. BY	
				X.XX	±0.15	ENG. BY	
				ANGLE	±3°	APP. BY	

TITLE: LXFB2E220/44-P92/25-AA01

PROJECTION:

A1
SCALE
SHEET: of