

Specifications

AC Centrifugal Fan

Model : DYF4E-315

Type : HW2a

Coding : F030070002

Version: V1.0

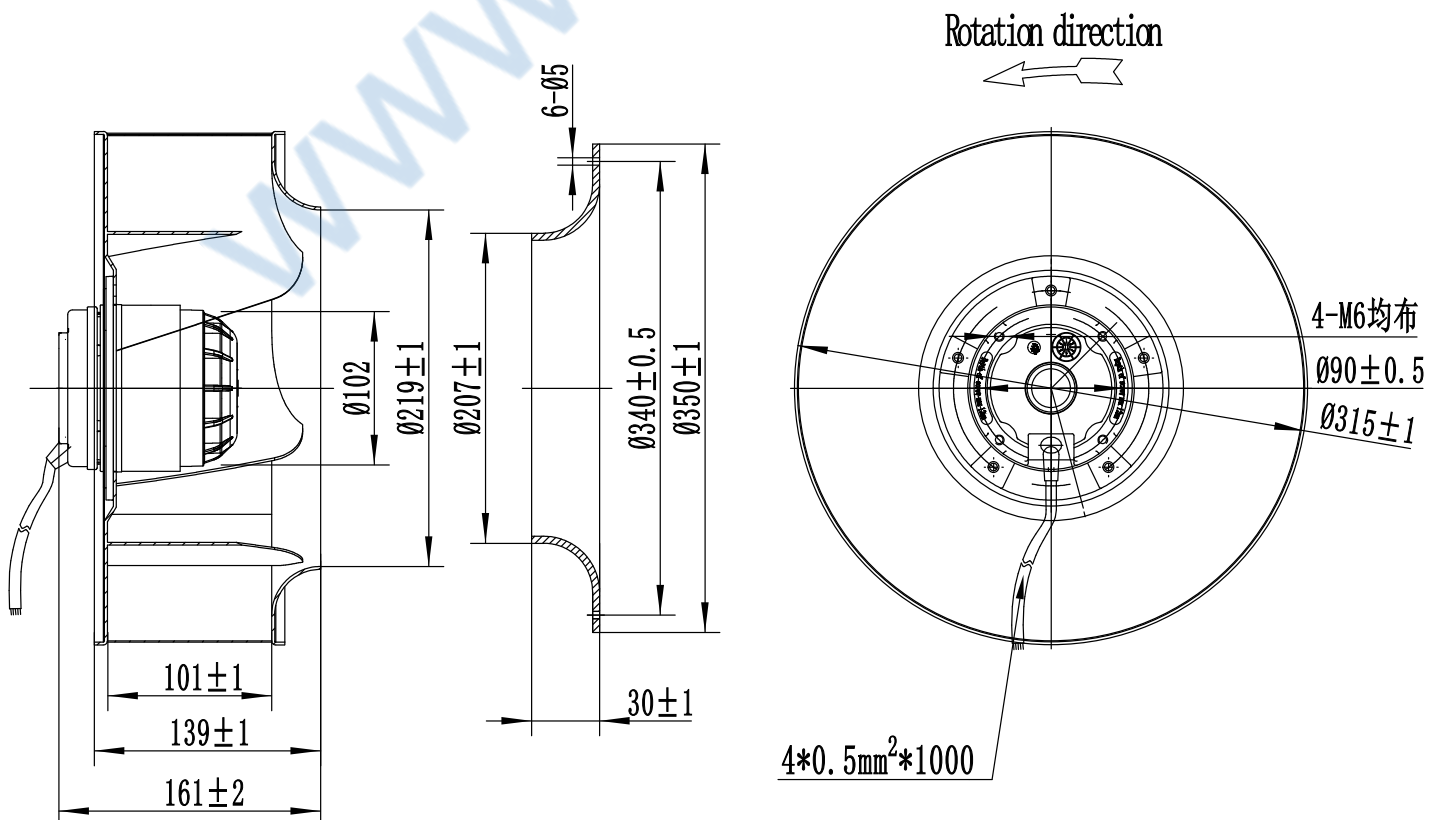
Date : 2024.05.06

Version	Status	Version update instructions	Date	DRN BY	CHK BY
V1.0	Effective	Initial release	2024-05-06	ZH. Shao	XQ. Chen

Standards

- GB12350 《Safety Requirements of small Power motors》
- EN60335-1 《Safety Requirements of Household of Similar Electrical Appliances》
- The level of balance is in accordance with ISO 1940, G4.0
- Vibration testing and velocity is performed according to JB/T8689.
- This product is certified by China CCC and EU CE
- ISO 9001 quality system certification
- Standard of noise test: ISO 13347 《Determination of fan sound power levels under standardized laboratory conditions》
- The fan performance data is accurate and reliable, conforming to GB/T1236-2017 and 《Industrial fans-performance testing using standardize dairways》 in ISO5801-2007 standards.

Product Drawings



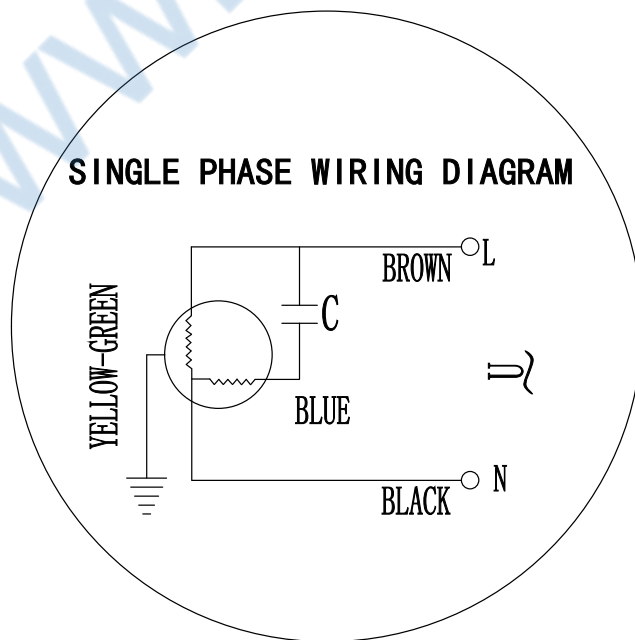
Technical Parameters

Power supply	Phase	1
Frequency	Hz	50
Wiring		-
Capacitance	μ F	4
Input Voltage	V	220
Input Current	A	0.64
Input Power	W	140
Rated Speed	r/min	1370
Fan Noise	dB(A)	63
Fan Steering		Clockwise(From the motor)
Fan Life	h	40000
Fan Weight	kg	-
Protection Level		IP54
Insulation Class		F
Balance Level		G4.0
Ambient Temperature	$^{\circ}$ C	-40~+60
Environment Humidity		\leq 90%RH
Impeller Material		Metal
Spray Color		-
Operating Status		S1

Label

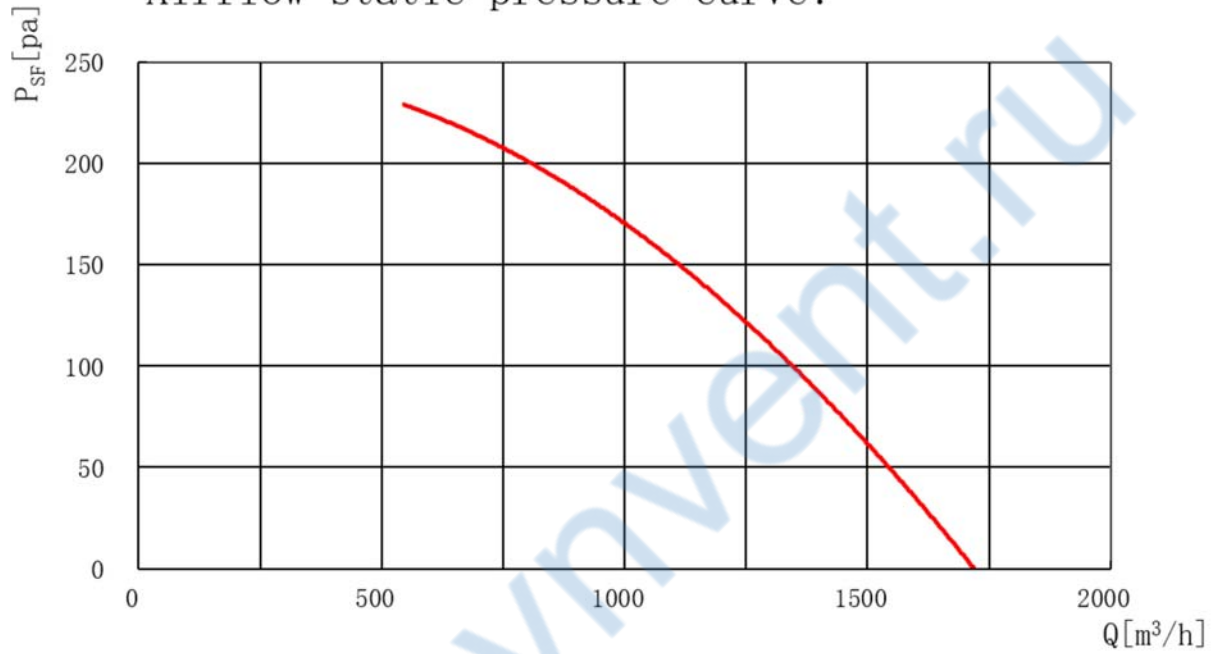
VENTILATOR Dayoung	DYF4E-315-Hw2a	F030070002	CE EAC
Centrifugal Fan	220V 50Hz 0.64A 140W 1370r/min 4 μ F/450V IP54 CL. F 24XXXXXXXX		

Product wiring diagram



Product Performance

Airflow-static pressure curve:



St. P.	Air Flow	Speed	Voltage	Freq.	Current	Power
Pa	m3/h	RPM	V	Hz	Amp	W
1	1717	1417	231	50	0.53	117
35	1599	1408	232	50	0.56	124
74	1451	1394	232	50	0.59	131
111	1299	1384	231	50	0.60	136
141	1151	1380	227	50	0.60	133
168	1020	1373	229	50	0.62	138
194	852	1376	231	50	0.62	140
212	700	1376	231	50	0.60	136
229	546	1383	232	50	0.59	133